



Package

Usually, the XLPE covered aluminium cables are packed in wooden reels, but can also be supplied in rolls. In this case, their masses must be limited to 40kg.

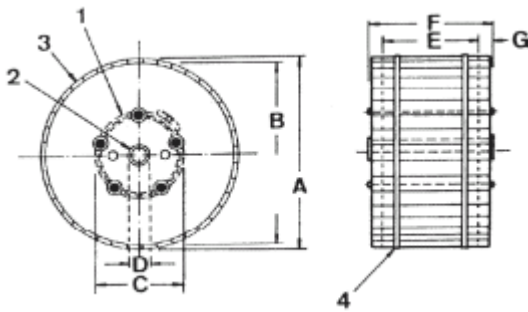
Wooden reels

The wooden reels have enough strength to support transportation and handling, and the storage during a 2-year period, since the NBR 7310 standard is fulfilled.

Inside reel, the material is identified with a label attached to disk, near cable end.

Externally, every reel is identified by a control number and type printed on both sides. The data referring the packed product, customer, destination, etc. are printed on polymeric labels, attached on both sides of reel.

The sketch and table showing types and dimensions of standard reels, used for product packing as per NBR 11137, are shown below.



Reel type	Approximate dimensions (mm)						Enclosure thickness (A-B) / 2 (mm)	D-bushing internal diameter (mm)	Package approximate weight (kg)	Shipping volume (m ³)
	A	B	C	E	F	G (F-E) / 2				
62/25	700	650	350	250	326	38	25	83	35	0.16
65/45	700	650	350	450	526	38	25	83	45	0.26
80/45	850	800	350	450	550	50	25	83	65	0.40
100/60	1050	1000	500	600	726	63	25	89	130	0.80
125/70	1300	1250	600	700	826	63	25	89	195	1.40
125/100	1326	1250	600	1000	1126	63	38	89	250	1.98
150/80	1576	1500	700	800	926	63	38	89	290	2.30
170/80	1776	1700	800	800	952	76	38	89	390	3.00
170/100	1776	1700	800	1000	1152	76	38	89	430	3.63
190/100	1976	1900	1000	1000	1152	76	38	89	530	4.50
210/100	2176	2100	1200	1000	1152	76	38	89	645	5.45
230/100	2376	2300	1400	1000	1202	101	38	89	690	6.79